

# IMBCB & IMBCW

## Boundary Microphone

**Thank you for purchasing this quality Australian Monitor product.**

The IMBCB and IMBCW boundary condenser microphones provide a premium solution for ambient sound recording and sound reinforcement. These Cardioid condenser microphones are tailored specifically for distance micing. The frequency response has been tuned to reduce plosive and overly sibilant sounds. Each model is supplied with a rubber isolation pad on the base of the mic to keep mechanical noise and rumble to a minimum.

These quality condenser microphones are highly recommended for ambient recordings, teleconference, boardroom meetings, and many other applications requiring a surface boundary microphone solution.

### Features

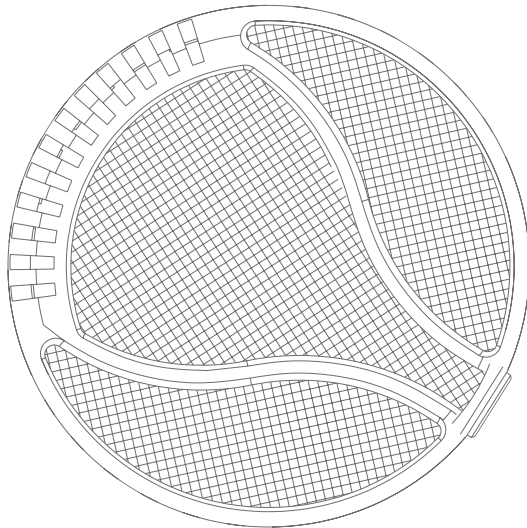
Cardioid polar pattern

High gain before feedback

Neutral response

High sensitivity

Robust diecast chassis



### What's in the box?

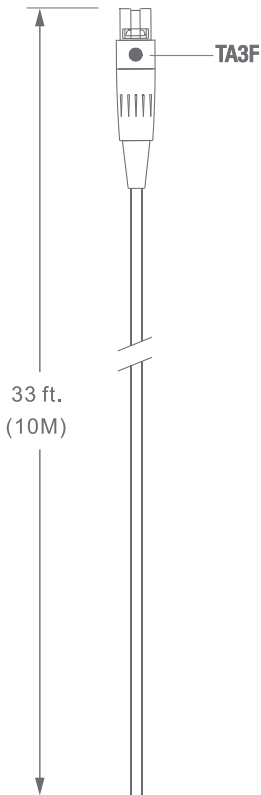
1 x IMBCB or IMBCW microphone

1 x TA4F – un-terminated microphone cable 10 metres

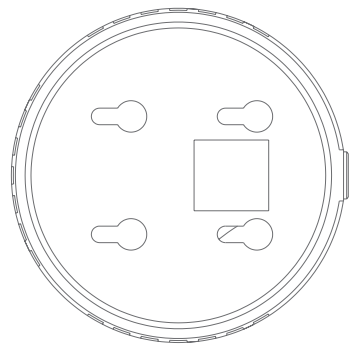
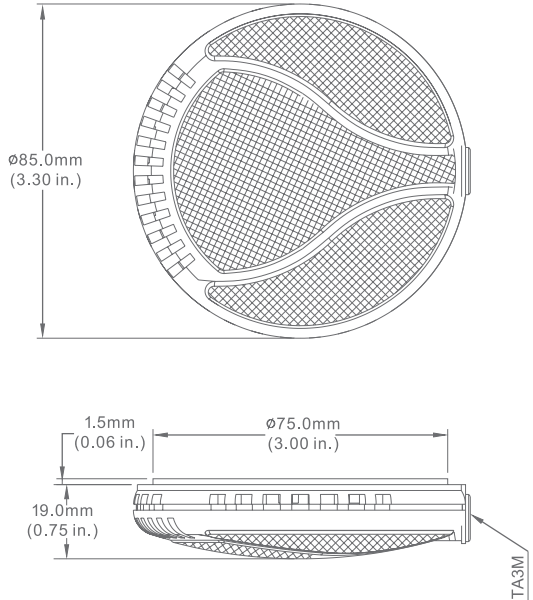
The instruction manual you are now reading

## Cable Termination

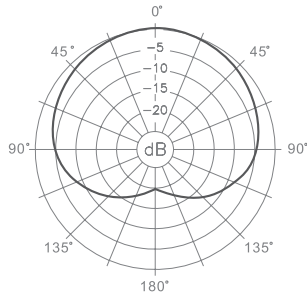
The IMBCB and IMBCW microphones ship with a 10-metre microphone cable. One end is pre-terminated with a TA3F connector. The other end of the cable is un-terminated.



Red wire = Positive  
 White wire = Negative  
 Bare wire = Shield

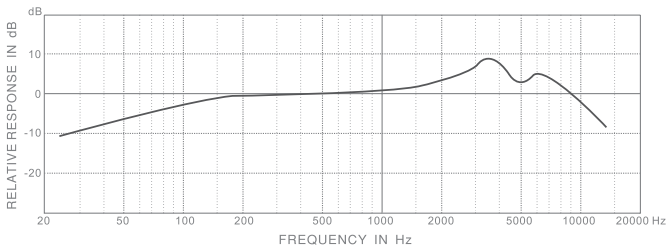


DIMENSIONS



1000 Hz ———

TYPICAL POLAR PATTERN



TYPICAL FREQUENCY RESPONSE

## Specifications

Transducer Type	Black Electret Condenser
Polar Pattern	Cardioid
Frequency Response	30Hz – 18Khz
Sensitivity	11.2 mV/Pa -39 dBV
Electrical Impedance	600 $\Omega$
Min. Load Impedance	2000 $\Omega$
Max. SPL	127dB @ 1% THD
Finish	Matte Black or Matte White
Connection	Balanced 3 pin TA3M Male Pin 2 +, Pin 3 -, Pin 1 shield
Phantom Power	9 – 52Vdc
Current consumption	4 mA
Operating Temp	-10° – +50°C
Dimensions	Ø85mm x 20.5mm
Net Weight	180g
Included Accessories	10-metre TA3F – unterminated microphone cable

# IMPORTANT SAFETY INFORMATION

1. Read these instructions.
2. Keep these instructions.
3. Heed all warnings.
4. Follow all instructions.
5. Do not use this apparatus near water.
6. Clean only with dry cloth.
7. Do not block any ventilation openings. Install in accordance with the manufacturer's instructions.
8. Do not install near any heat sources such as radiators, heat registers, stoves, or other apparatus (including amplifiers) that produce heat.
9. Do not defeat the safety purpose of the polarized or grounding-type plug. A polarized plug has two blades with one wider than the other. A grounding type plug has two blades and a third grounding prong. The wide blade or the third prong are provided for your safety. If the provided plug does not fit into your outlet, consult an electrician for replacement of the obsolete outlet.
10. Protect the power cord from being walked on or pinched particularly at plugs, convenience receptacles, and the point where they exit from the apparatus.
11. Only use attachments/accessories specified by the manufacturer.



Use only with the cart, stand, tripod, bracket, or table specified by the manufacturer, or sold with the apparatus. When a cart is used, use caution when moving the cart/apparatus combination to avoid injury from tip-over.

13. Unplug this apparatus during lightning storms or when unused for long periods of time.
14. Refer all servicing to qualified service personnel. Servicing is required when the apparatus has been damaged in any way, such as power-supply cord or plug is damaged, liquid has been spilled or objects have fallen into the apparatus, the apparatus has been exposed to rain or moisture, does not operate normally, or has been dropped.
15. This appliance shall not be exposed to dripping or splashing water and that no object filled with liquid such as vases shall be placed on the apparatus.
16. Plug this apparatus to the proper wall outlet and make the plug to be disconnected readily operable.
17. Mains plug is used as disconnected device and it should remain readily operable during intended use. In order to disconnect the apparatus from the mains completely, the mains plug should be disconnected from the mains socket outlet completely.
18. Warning: To reduce the risk of fire or electric shock, do not expose this apparatus to rain or moisture.
19. An appliance with a protective earth terminal should be connected to a mains outlet with a protective earth connection.
20. The apparatus should be disconnected from the mains completely before speaker wiring. The speaker output should be properly protected from direct contact and pay attention to speaker connections, terminals and speaker wiring during normal operation.

## WARNING!

TO PREVENT FIRE OR SHOCK HAZARD, DO NOT USE THE PLUG WITH AN EXTENSION CORD, RECEPTACLE OR OTHER OUTLET UNLESS THE BLADES CAN BE FULLY INSERTED TO PREVENT BLADE EXPOSURE.  
TO REDUCE THE RISK OF FIRE OR ELECTRIC SHOCK, DO NOT EXPOSE THIS APPLIANCE TO RAIN OR MOISTURE.

## CAUTION

THESE SERVICING INSTRUCTIONS ARE FOR USE BY QUALIFIED SERVICE PERSONNEL ONLY.  
TO REDUCE THE RISK OF ELECTRIC SHOCK DO NOT PERFORM ANY SERVICING OTHER THAN THAT CONTAINED IN THE OPERATING INSTRUCTIONS UNLESS YOU ARE QUALIFIED TO DO SO.



The lightning flash with arrowhead symbol, within an equilateral triangle, is intended to alert the user to the presence of uninsulated "dangerous voltage" within the product's enclosure that may be of sufficient magnitude to constitute a risk of electric shock to persons.

### CAUTION

**RISK OF ELECTRIC SHOCK  
DO NOT OPEN**

#### WARNING:

TO REDUCE THE RISK OF ELECTRIC SHOCK, DO NOT REMOVE COVER (OR BACK). NO USER SERVICEABLE PARTS INSIDE. REFER SERVICING TO QUALIFIED SERVICE PERSONNEL.



The exclamation point within an equilateral triangle is intended to alert the user to the presence of important operating and maintenance (servicing) instructions in the literature accompanying the appliance.



**For European Union countries:** This symbol on the product or its packaging indicates that this product must not be disposed of with other waste.

Instead, it is your responsibility to dispose of your waste equipment by handing it over to a designated collection point for the recycling of waste electrical and electronic equipment.

Please contact your local authority for further details of your nearest designated collection point.

Rating plate and caution marking are marked on the back enclosure of the apparatus



ENGINEERED BY AUSTRALIAN MONITOR  
Address: 1 Clyde St, Silverwater NSW 2128 Australia.  
Website: [www.australianmonitor.com.au](http://www.australianmonitor.com.au)  
International enquiries email: [international@australianmonitor.com.au](mailto:international@australianmonitor.com.au)  
ABN 35 007 573 417