

AMD FM

Dynamic Microphone

The AMD FM is a dynamic noise cancelling fist microphone tailored specifically for high intelligibility and crystal clear paging situations. Featuring a shock mounted dynamic capsule, hardened steel mesh grill, heavy duty momentary Push-To-Talk switch and corrosion resistant body, the AMD FM is suitable for all commercial paging applications.

The AMD FM is recommended for commercial paging applications such as dispatch paging, fire panel paging, industrial paging and many other applications requiring a heavy duty noise cancelling paging microphone solution.

Features:

- Tailored for voice paging
- Noise cancelling design
- Momentary Push-To-Talk switch
- Dry contact closure trigger
- Industrial grade housing and capsule

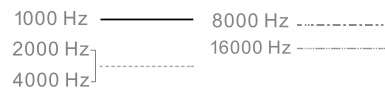
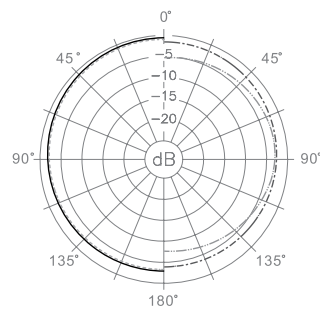
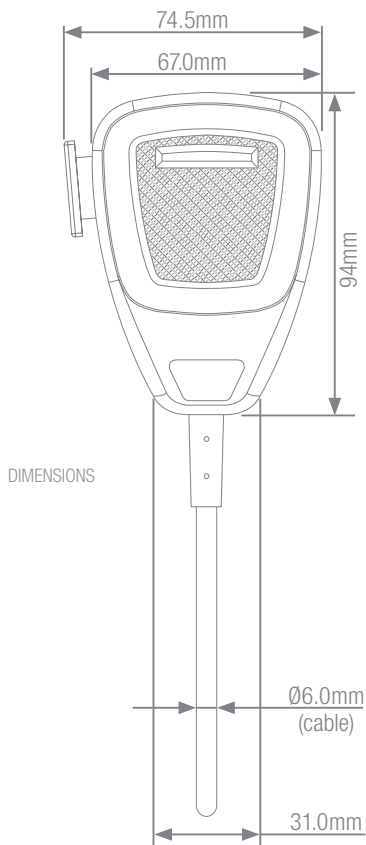
Included Accessories

- 1 x AMD FM microphone
- 1 x AMD FM hanging clip

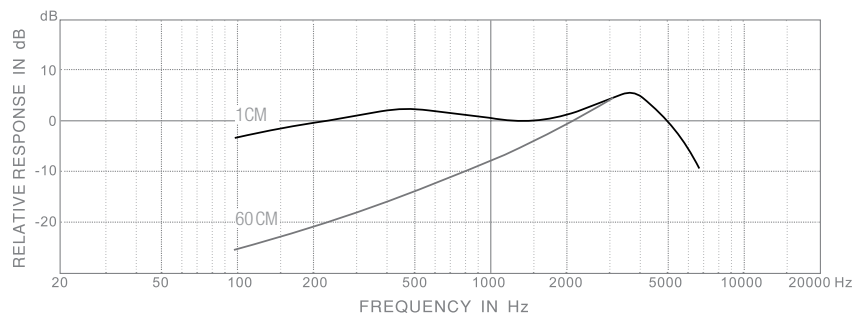


Specifications

Transducer Type	Noise Cancelling Dynamic
Polar Pattern	Omni
Frequency Response	100Hz – 5Khz
Sensitivity	0.5 mV/Pa -66 dBV
Electrical Impedance	200 Ω
Min. Load Impedance	1000 Ω
Max. SPL	145dB @ 1% THD
Finish	Black
Cable	6.0 mm Unterminated 5 core 3.4 meters
Audio Connection	White = Audio Positive + Black = Audio Negative – Drain = Ground
Switch Connection (Normally Open)	Red = Switch Green = Switch
Dimensions	67 x 94 x 50 mm
Net Weight	250g
Included Accessories	Hanging Clip



TYPICAL POLAR PATTERNS



TYPICAL FREQUENCY RESPONSE



ENGINEERED BY AUSTRALIAN MONITOR

Address: 1 Clyde Street, Silverwater NSW 2128 Australia.

Website: www.australianmonitor.com.au

International enquiries email: customersupport@australianmonitor.com.au

ABN 35 007 573 417

Rev 1.0