

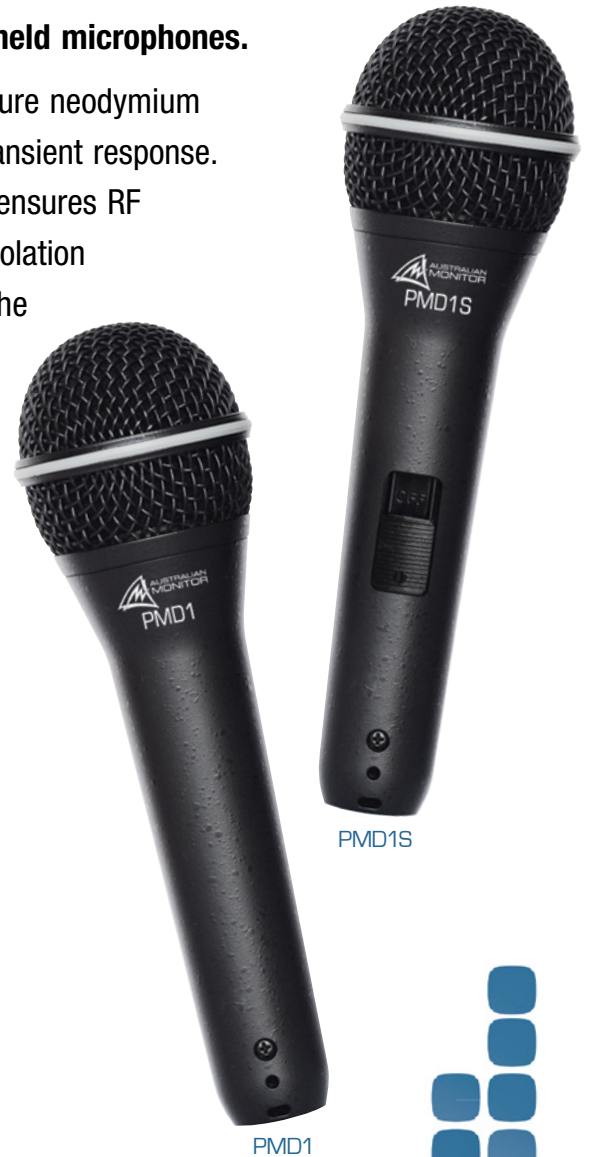
# PMD1 & PMD1S

## Dynamic Handheld Microphone

### Introducing the PMD1 and PMD1S performance handheld microphones.

These premium dynamic Supercardioid microphones feature neodymium motors with aluminium voice coils ensuring super fast transient response. Both models also feature an isolation transformer which ensures RF and electrical noise isolation. The incorporated capsule isolation system keeps handling noise to a bare minimum. While the PMD1 and PMD1S are tailored for vocal reproduction both models can also be used to reproduce instruments as well.

These premium microphones are highly recommended for Stage vocal performance, presentations, Instrument reproduction, percussion reproduction, and many other performance applications.



#### Features

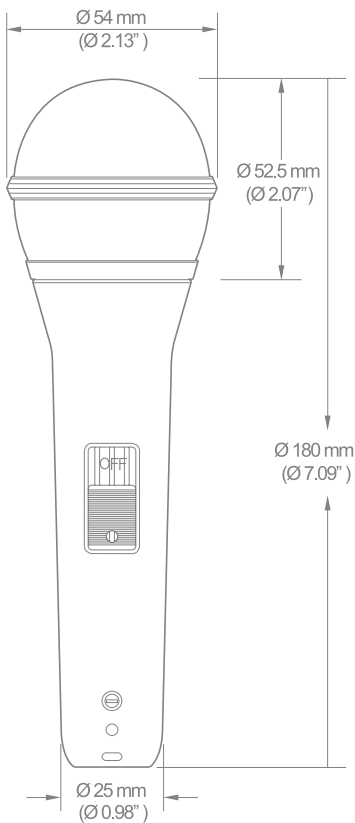
- Supercardioid polar pattern
- Exceptional gain before feedback
- Low handling noise
- Transformer Isolated
- Magnetic lockable reed switch (PMD1S only)
- Rugged design

#### Included Accessories

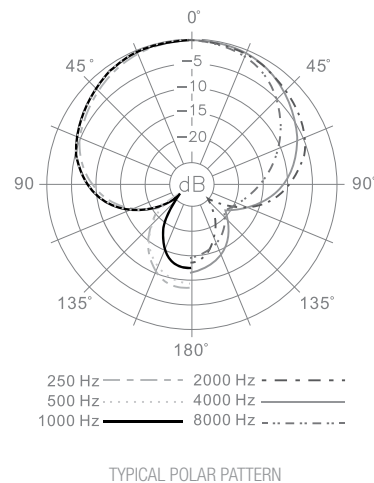
- Microphone Clip
- 5/8 – 3/8 thread adaptor
- Microphone Pouch

# Specifications

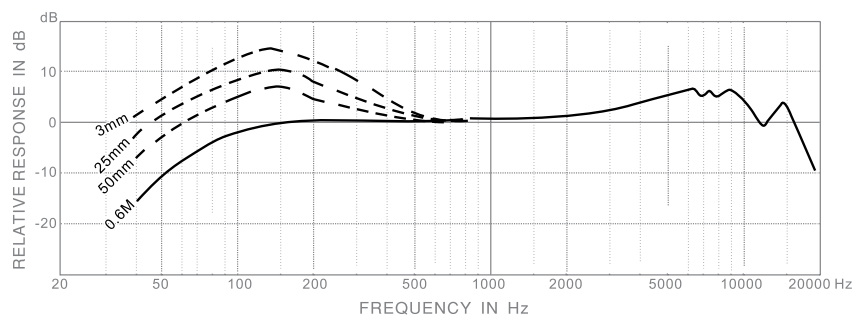
Transducer Type	Dynamic – Neodymium, aluminium voice coil with dual diaphragm
Polar Pattern	Supercardioid
Frequency Response	40Hz – 16Khz
Sensitivity	2 mV/Pa -54 dBV
Electrical Impedance	300 $\Omega$
Min. Load Impedance	300 $\Omega$
Max. SPL	136dB @ 1% THD
Finish	Matte Black
PMD1S Switch	Magnetic silent lockable reed switch
Connection	Balanced 3 pin XLR Male Pin 2 +, Pin 3 -, Pin 1 shield
Dimensions	$\varnothing$ 54mm x L 180mm
Net Weight	340g
Included Accessories	Microphone clip, 5/8 – 3/8 thread adaptor, microphone pouch



DIMENSIONS FOR BOTH MODELS  
(PMD1S SHOWN)



TYPICAL POLAR PATTERN



TYPICAL FREQUENCY RESPONSE



ENGINEERED BY AUSTRALIAN MONITOR

Address: 1 Clyde Street, Silverwater NSW 2128 Australia.

Website: [www.australianmonitor.com.au](http://www.australianmonitor.com.au)

International enquiries email: [customersupport@australianmonitor.com.au](mailto:customersupport@australianmonitor.com.au)

ABN 35 007 573 417

Rev 1.0