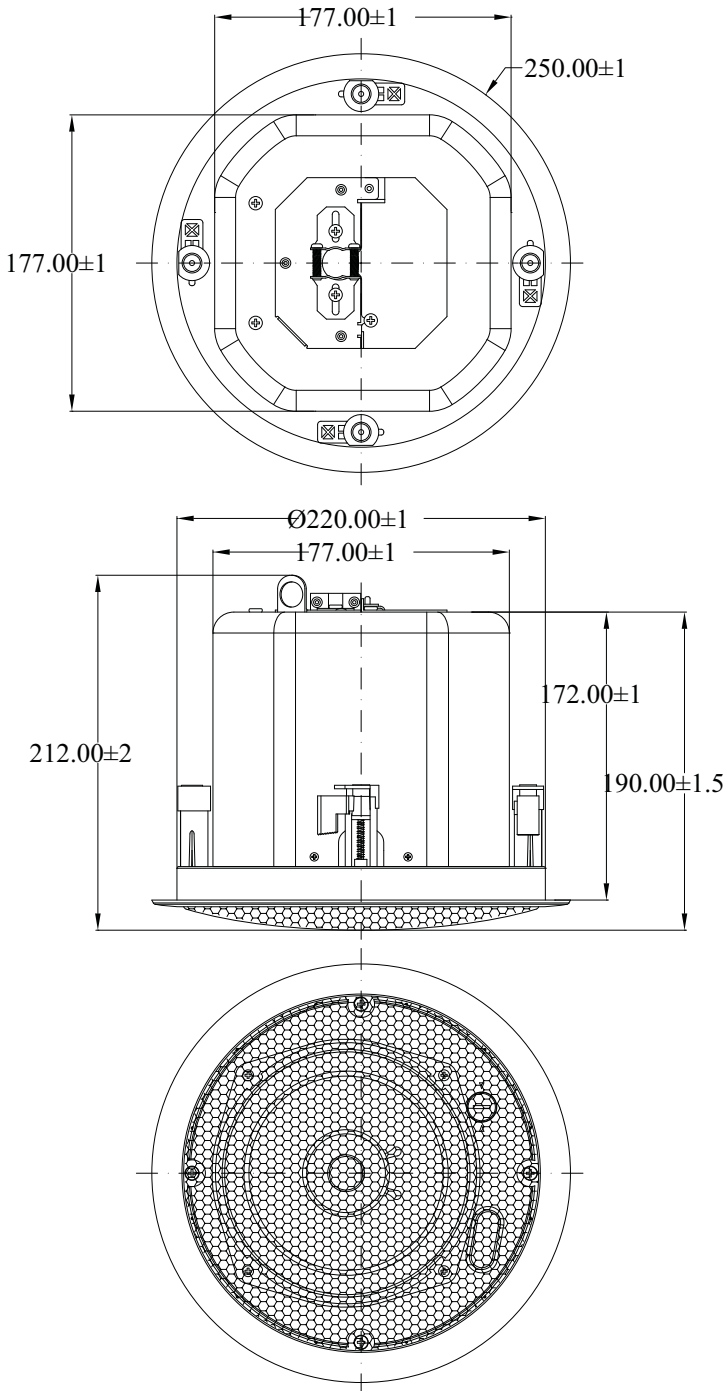


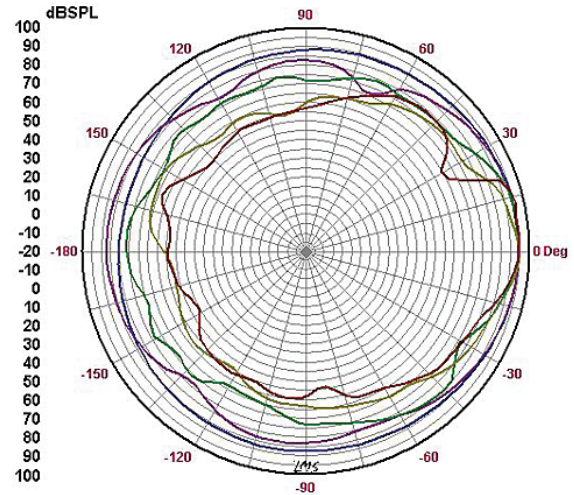
AM60CS

Ceiling Speaker

DIMENSIONS (MM)

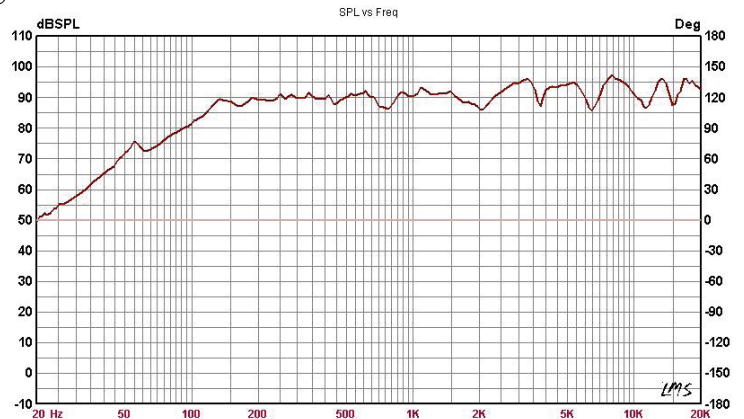


POLAR PLOTS – SPL VS ANGLE



Curve	Freq	BW	Q	DI
—	500.00	142	2.5	4.0
—	1.00K	80	4.5	6.5
—	4.00K	36	9.9	10.0
—	10.00K	29	12.4	10.9
—	20.00K	29	12.4	10.9

FREQUENCY RESPONSE CURVE – SPL VS FREQUENCY



SPECIFICATIONS

Power Taps at 60, 30, 15, 7.5 Watts
 Frequency Response 57Hz – 20kHz
 Sensitivity 90dB
 Dispersion 100°

ENGINEERED BY AUSTRALIAN MONITOR

Address: 1 Clyde Street, Silverwater, Sydney NSW 2128 Australia. Private Bag 149, Silverwater NSW 1811 ABN 35 007 573 417

Website: www.australianmonitor.com.au International enquiries email: international@australianmonitor.com.au

DISTRIBUTED IN AUSTRALIA AND NEW ZEALAND BY HILLS SVL www.hillssvl.com.au

NSW P: 02 9647 1411 QLD P: 07 3852 1312 ACT P: 02 6260 4544 WA P: 08 9204 0200 VIC P: 03 9890 7477 SA P: 08 8408 8300 NZ P: 09 415 9426

E: nsw@hillssvl.com.au E: qld@hillssvl.com.au E: act@hillssvl.com.au E: wa@hillssvl.com.au E: vic@hillssvl.com.au E: sa@hillssvl.com.au E: sales@hillssvl.co.nz