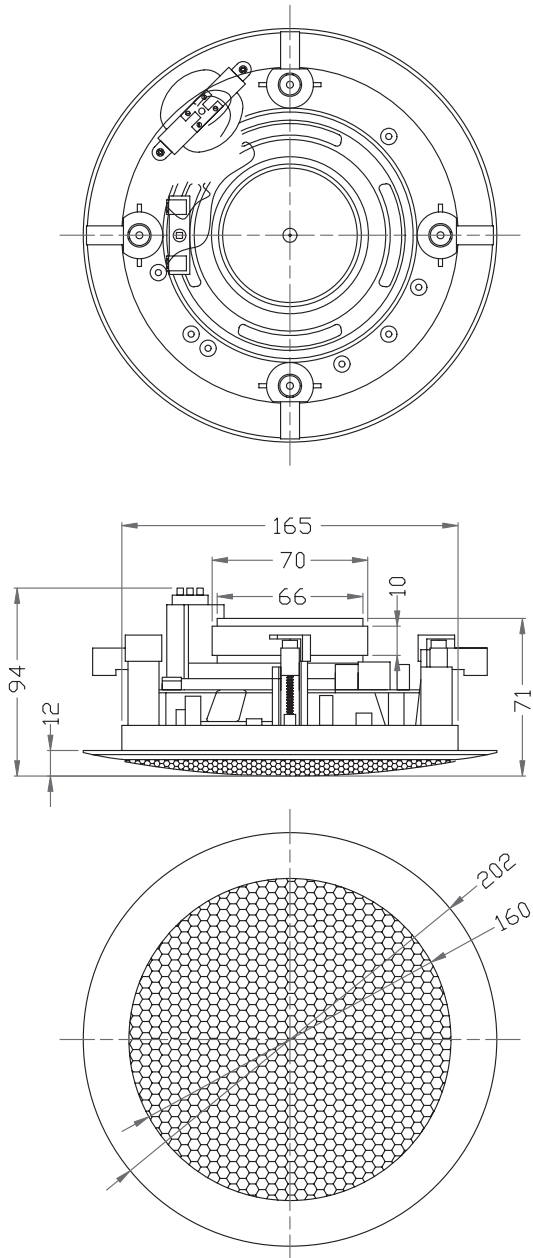


QF5A Specification Sheet

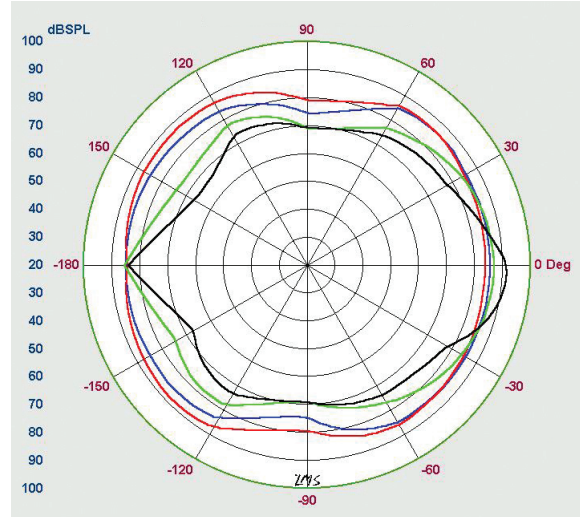


5 inch dual cone full range ceiling speaker.

Dimensions (mm)

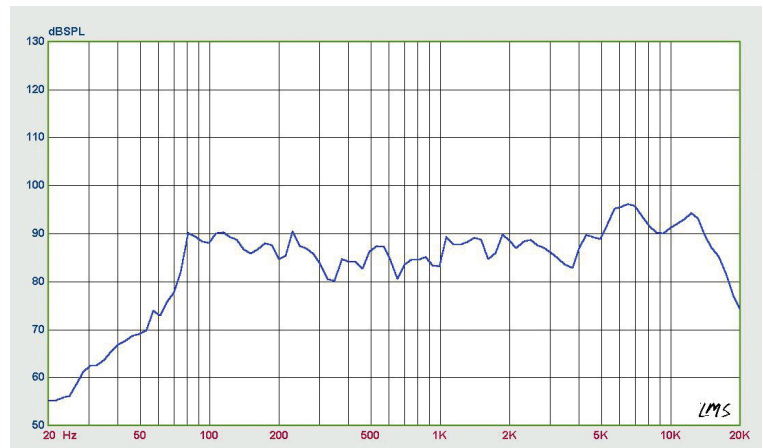


Polar Plots – SPL vs Angle



Curve	Freq	BW	Q	DI
—	500.00	145	2.5	3.9
—	1.00K	360	1.0	0.0
—	4.00K	84	4.3	6.3
—	10.00K	25	14.1	11.5

Frequency Response Curve – SPL vs Frequency



Specifications

Power Taps at 5, 2.5, 1, 0.33 Watts
 Frequency Response 90Hz – 20kHz
 Sensitivity 90dB
 Dispersion 100°

ENGINEERED BY AUSTRALIAN MONITOR. DISTRIBUTED BY HILLS SVL

ABN 78 001 345 482 Address: 1 Clyde Street, Silverwater, Sydney NSW 2128 Australia

Website: www.australianmonitor.com.au International enquiries email: international@australianmonitor.com.au

NSW Phone: (02) 9647 1411 Email: nsw@hillssvl.com.au

ACT Phone: (02) 6260 4544

Email: act@hillssvl.com.au

VIC Phone: (03) 9890 7477

Email: vic@hillssvl.com.au

QLD Phone: (07) 3852 1312 Email: qld@hillssvl.com.au

WA Phone: (08) 9204 0200

Email: wa@hillssvl.com.au

SA Phone: (08) 8352 4444

Email: sa@hillssvl.com.au

NZ Phone: (09) 415 9426 Email: sales@hillssvl.co.nz

