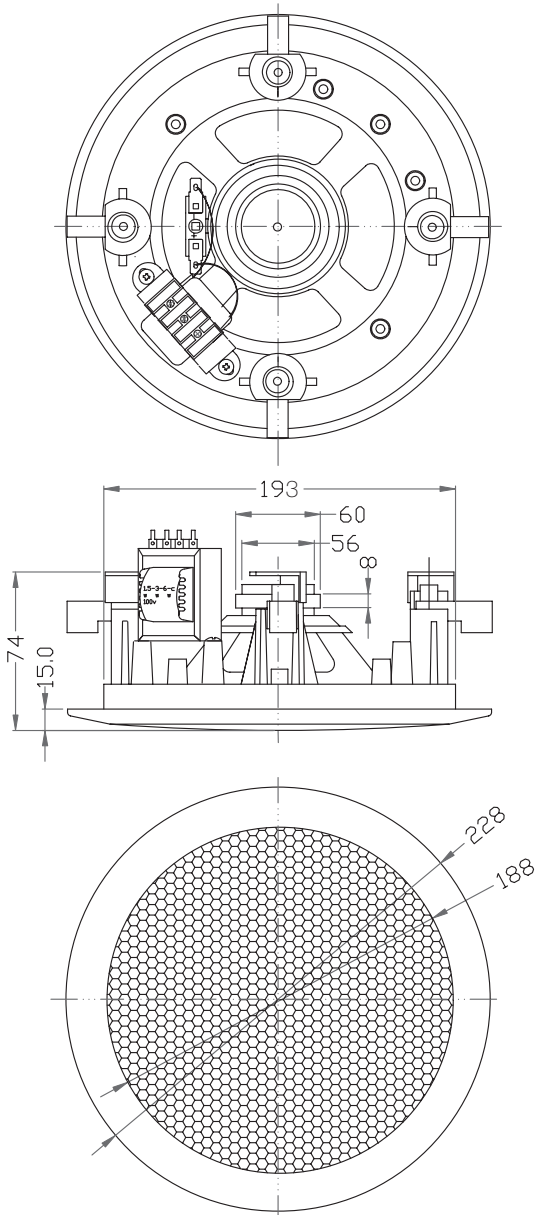


# QF6 Specification Sheet

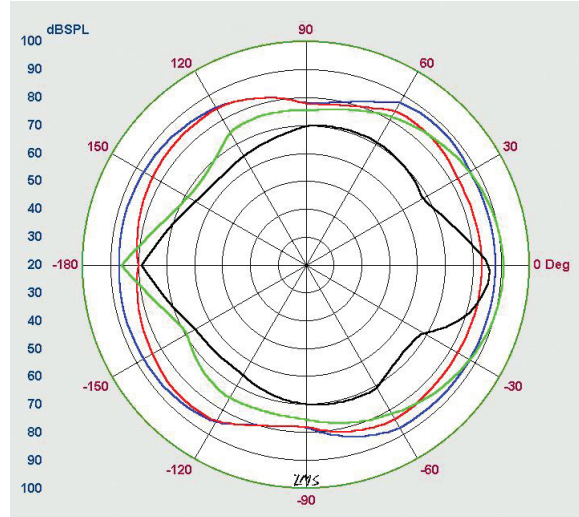


6.5 inch dual cone full range ceiling speaker.

Dimensions (mm)

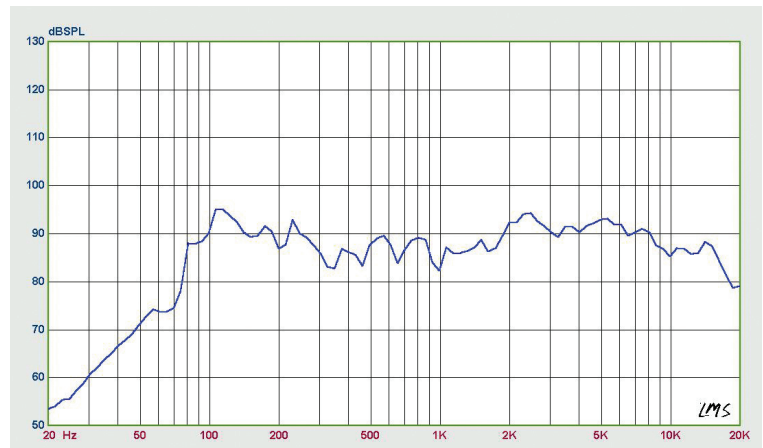


Polar Plots – SPL vs Angle



Curve	Freq	BW	Q	DI
—	500.00	149	2.4	3.8
—	1.00K	360	1.0	0.0
—	4.00K	87	4.1	6.2
—	10.00K	22	16.5	12.2

Frequency Response Curve – SPL vs Frequency



## Specifications

Power Taps at 10, 5, 2.5, 1.25 Watts  
 Frequency Response 120Hz – 18kHz  
 Sensitivity 90dB  
 Dispersion 100°

ENGINEERED BY AUSTRALIAN MONITOR. DISTRIBUTED BY HILLS SVL  
 ABN 78 001 345 482 Address: 1 Clyde Street, Silverwater, Sydney NSW 2128 Australia

Website: [www.australianmonitor.com.au](http://www.australianmonitor.com.au) International enquiries email: [international@australianmonitor.com.au](mailto:international@australianmonitor.com.au)

NSW Phone: (02) 9647 1411 Email: [nsw@hillssvl.com.au](mailto:nsw@hillssvl.com.au) ACT Phone: (02) 6260 4544 Email: [act@hillssvl.com.au](mailto:act@hillssvl.com.au) VIC Phone: (03) 9890 7477 Email: [vic@hillssvl.com.au](mailto:vic@hillssvl.com.au)  
 QLD Phone: (07) 3852 1312 Email: [qld@hillssvl.com.au](mailto:qld@hillssvl.com.au) WA Phone: (08) 9204 0200 Email: [wa@hillssvl.com.au](mailto:wa@hillssvl.com.au) SA Phone: (08) 8352 4444 Email: [sa@hillssvl.com.au](mailto:sa@hillssvl.com.au)  
 NZ Phone: (09) 415 9426 Email: [sales@hillssvl.co.nz](mailto:sales@hillssvl.co.nz)

