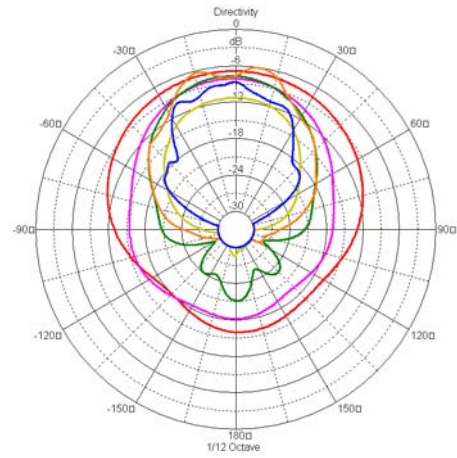
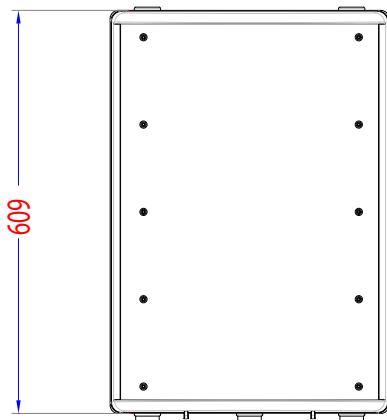
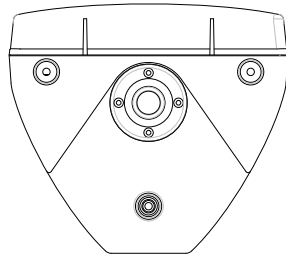
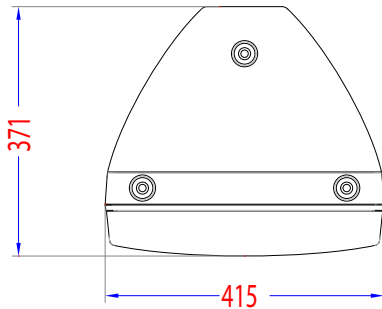
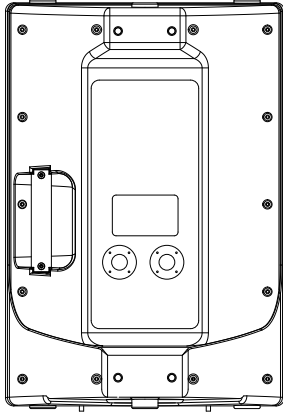


XRS12 Specification Sheet

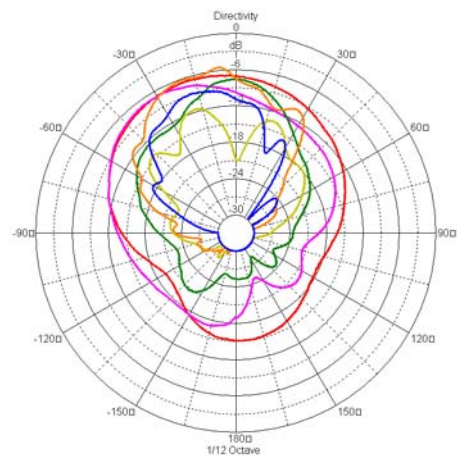
XRS12 two way 2" compression driver & 12" woofer 300 watt speaker system supplied with foldback kit

Dimensions (mm)



Polar Plots – Vertical directivity

Curve	Freq	0dB	-6 dB angle	Q	DI
—	250Hz	-6.9	178.1	2.5	4.0
—	500Hz	-8.2	121.5	3.3	5.2
—	1000Hz	-7.7	89.5	4.9	6.9
—	2000Hz	-11.3	91.4	4.8	6.8
—	4000Hz	-7.7	89.8	4.6	6.6
—	8000Hz	-8.7	65.7	7.1	8.5

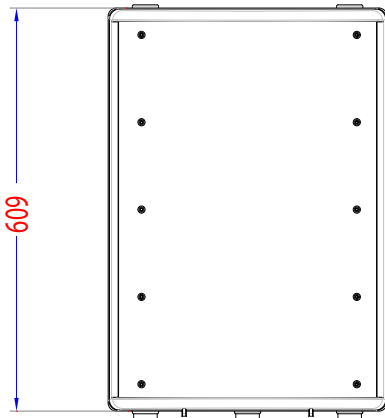
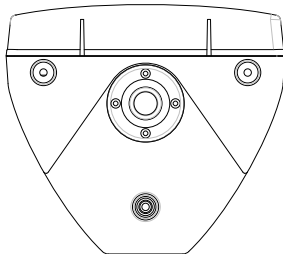
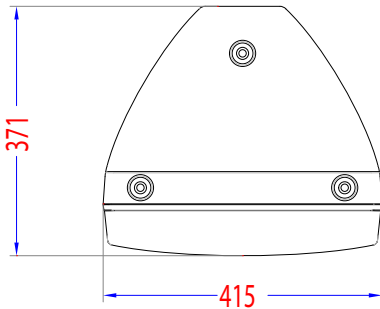
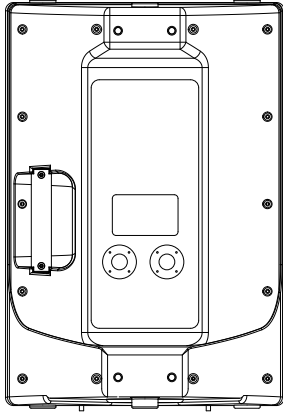


Polar Plots – Horizontal directivity

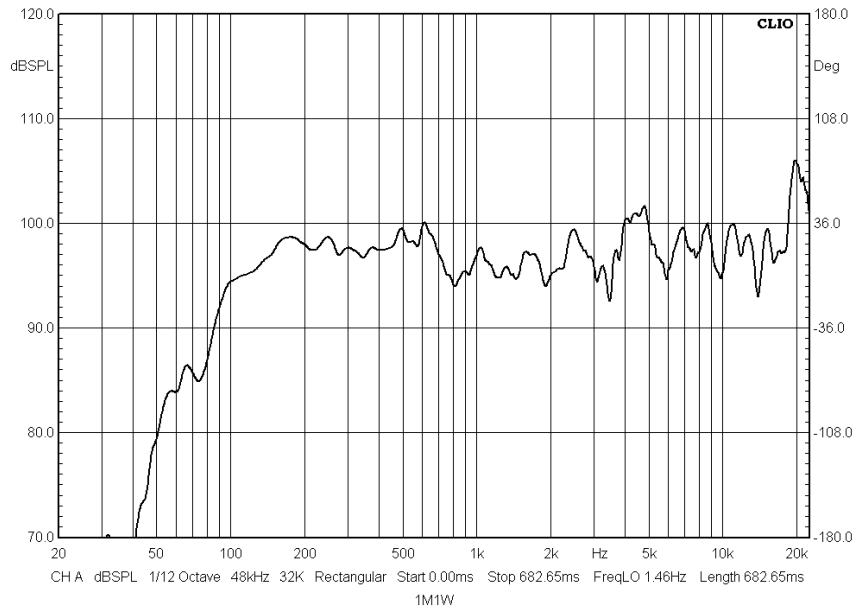
Curve	Freq	0dB	-6 dB angle	Q	DI
—	250Hz	-7.1	148.5	2.8	4.4
—	500Hz	-9.8	180.9	2.0	2.9
—	1000Hz	-7.6	85.6	6.0	7.7
—	2000Hz	-20.8	200.9	0.7	-1.4
—	4000Hz	-7.5	90.9	4.5	6.5
—	8000Hz	-10.9	68.0	4.5	6.5

XRS12 Specification Sheet

Dimensions (mm)



Frequency Response Curve



Specifications

Power	300W RMS
Frequency Response	40Hz - 18kHz
Sensitivity	(dB 1W 1M) 97dB
Compression Driver Dispersion	90 x 90
Weight	18KG

ENGINEERED BY AUSTRALIAN MONITOR. DISTRIBUTED BY HILLS SVL

ABN 78 001 345 482 Address: 1 Clyde Street, Silverwater, Sydney NSW 2128 Australia

Website: www.australianmonitor.com.au International enquiries email: international@australianmonitor.com.au

NSW Phone: (02) 9647 1411 Email: nsw@hillssvl.com.au

ACT Phone: (02) 6260 4544

Email: act@hillssvl.com.au

VIC Phone: (03) 9890 7477

Email: vic@hillssvl.com.au

QLD Phone: (07) 3852 1312 Email: qld@hillssvl.com.au

WA Phone: (08) 9204 0200

Email: wa@hillssvl.com.au

SA Phone: (08) 8352 4444

Email: sa@hillssvl.com.au

NZ Phone: (09) 415 9426 Email: sales@hillssvl.co.nz