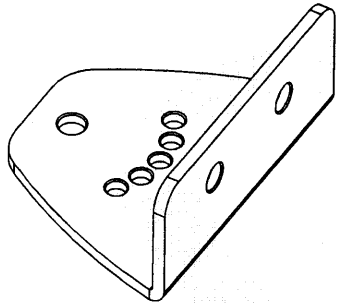
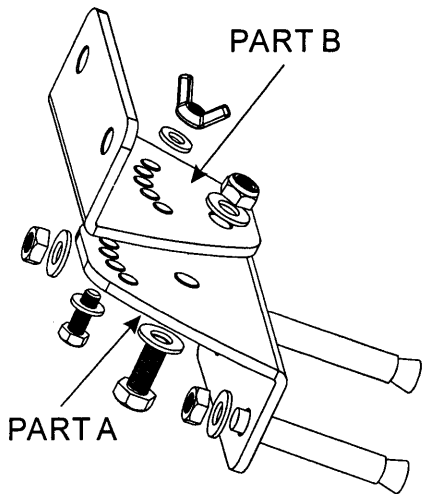


INSTALLATION INSTRUCTION
XR10UB

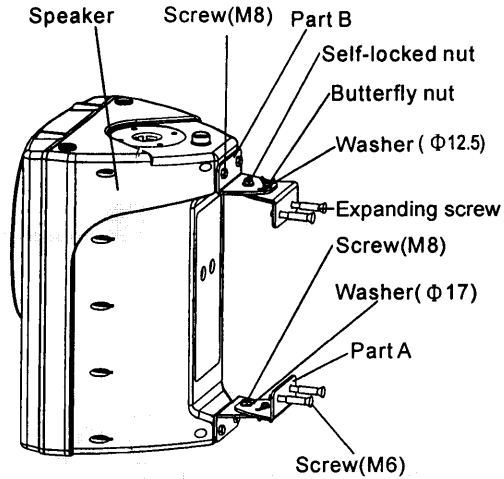


Part B



PART A

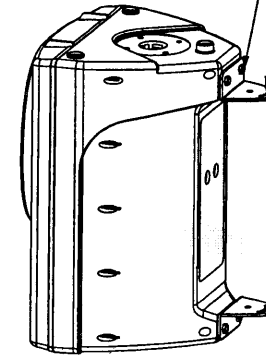
4



Screw(M6)

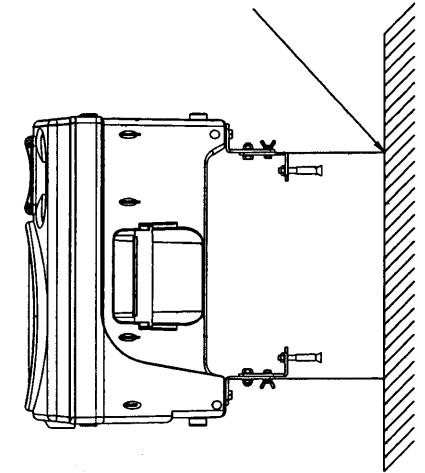
1

Install the Part B on the speaker cabinet

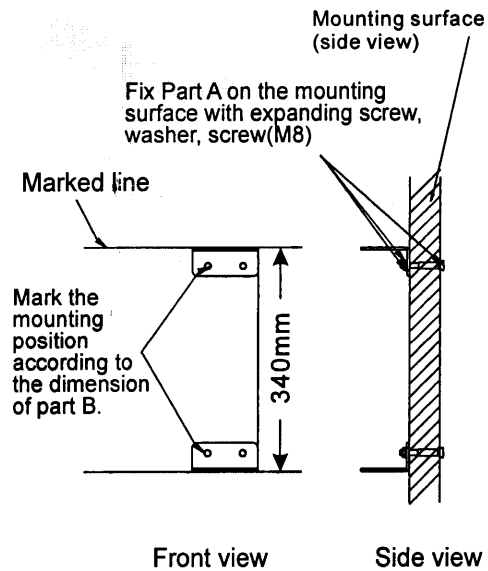


2

Choose the ideal mounting height, mark the installation position of Part A on the mounting surface. Please note the internal position of part A (as the diagram)



3

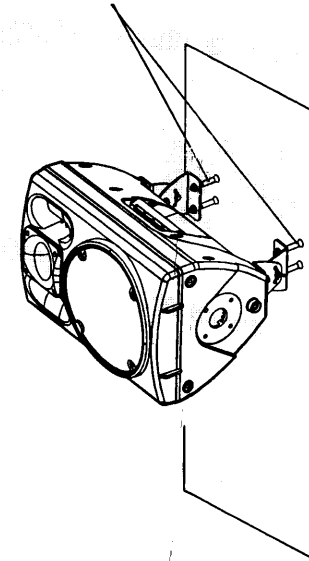


Front view

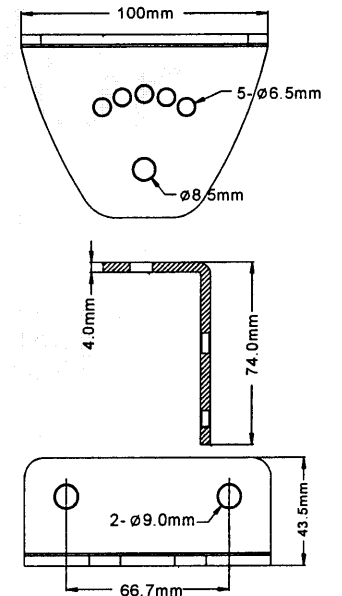
Side view

5

Adjust the dispersion of speaker, then fix the speaker with screw(M6), butterfly nut, washer.



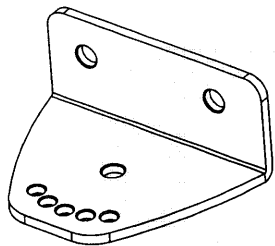
6



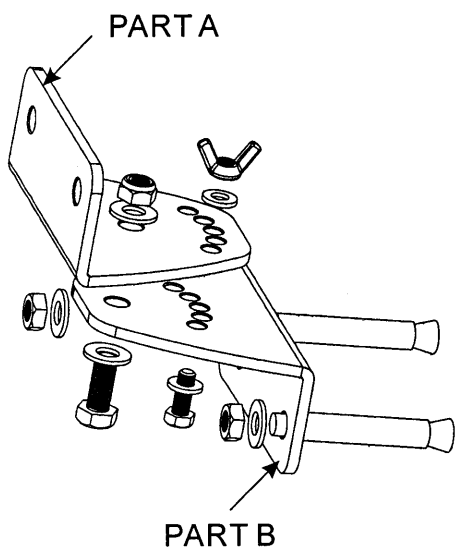
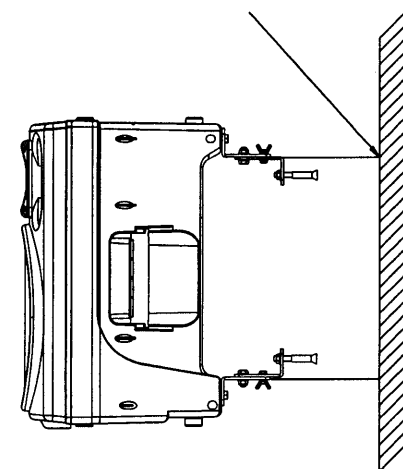
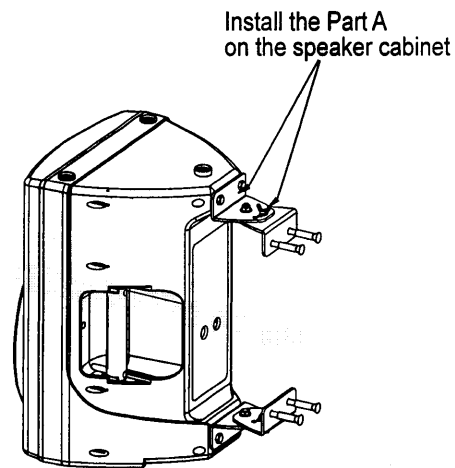
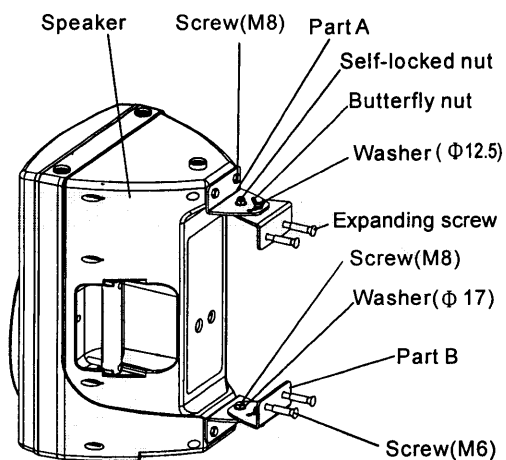
7

INSTALLATION INSTRUCTION

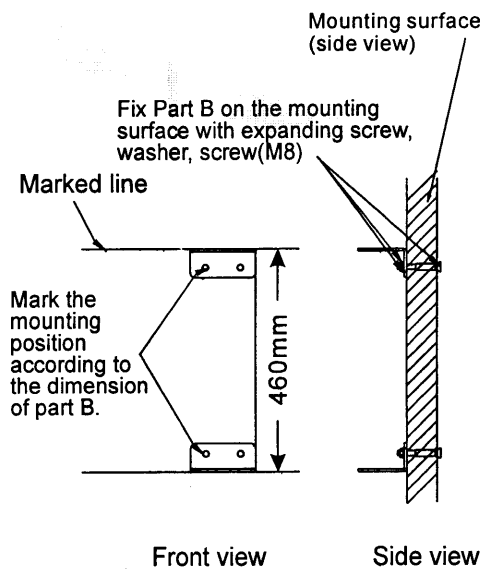
XR12UB



Part A

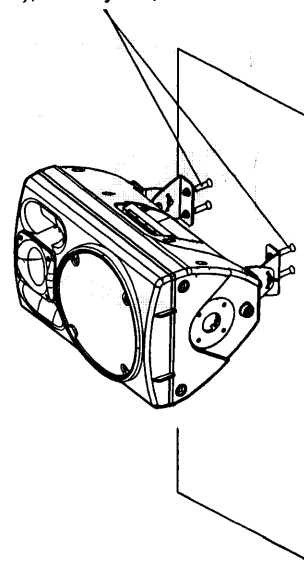


4

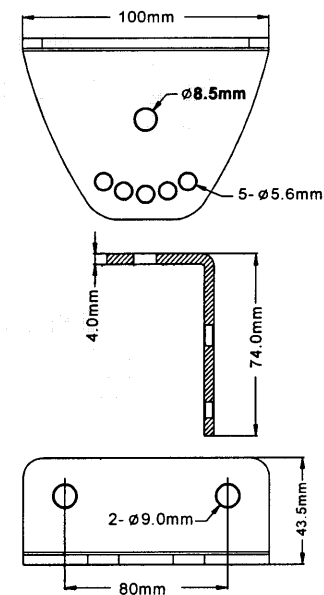


5

Adjust the dispersion of speaker, then fix the speaker with screw(M6), butterfly nut, washer.



6



7